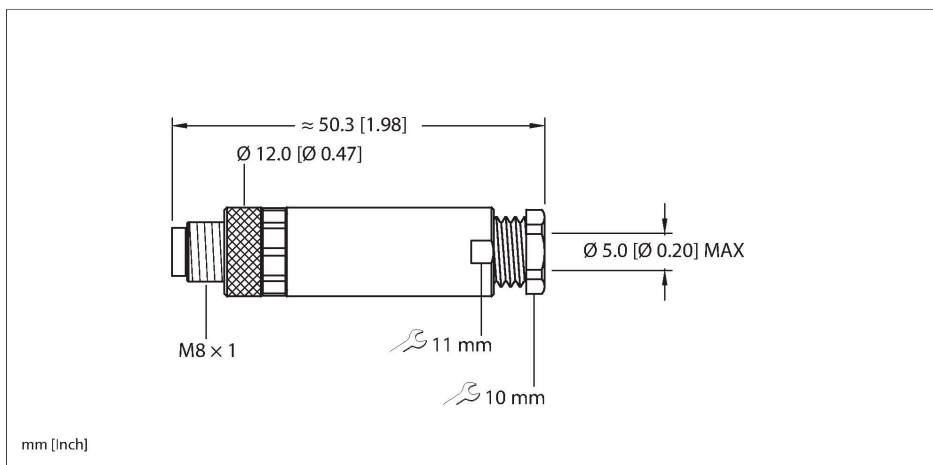


BS 5143-0

Actuator and Sensor Field Wireable – M8 × 1, Male, Straight



Technical data

Type	BS 5143-0
ID	U6513
Connector A	Male, M8 × 1, Straight
Design specification	Acc. to IEC 61076-2-104
Number of contacts	4
Contacts	Brass, CuZn, Gold-plated
Contact carriers	Plastic, PA 66 (UL 94 HB), Black
Connector body	Plastic, PBT, Black
Coupling nut	Brass, CuZn, Nickel-plated
Tightening torque (range)	0.4 ... 0.8 Nm (note max. torque of mating connector!)
Acceptable cable diameter	3.5...5 mm
Core cross-section/Clamping ability	0.14...0.5 mm ²
Core cross-section/terminal capacity	26...20 AWG
Connection mode	Screw/clamp connection
Mechanical life	> 100 Mating cycles
Pollution degree	3
Protection class (When coupled)	IP67 NEMA: 1, 3, 4, 6P
Electrical properties at +20 °C	
Rated voltage	60 V _{AC} /75 V _{DC}
Current	4 A
Mechanical and chemical properties	
Ambient temperature range (static)	-40...+85 °C

Features



- Straight Male M8 picofast Field Wireable
- 4 pins
- Screw termination
- Plastic housing
- 4 Pins
- Screw terminal Wire Termination
- Plastic Housing

Contact assignment



Technical data

Approvals

RoHS

Note

- We reserve the right to make technical alterations without prior notice.